

SERVICE BELOW ROOF

VERTICAL CLEARANCES

UTILITY SERVICE DROP

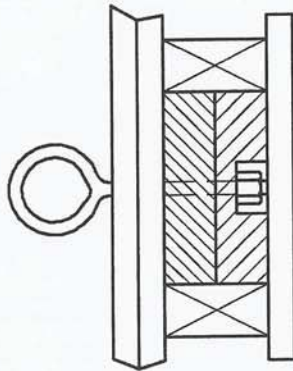
10" MIN.

1

12' OVER RESIDENTIAL PROPERTY AND THOSE COMMERCIAL AREAS NOT SUBJECTED TO TRUCK TRAFFIC WHERE VOLTAGE IS LIMITED TO 300 VOLTS TO GROUND.
15' WHERE SUBJECT TO NON-ROUTINE VEHICULAR TRAFFIC
18' WHERE MINIMUM ABOVE PUBLIC STREETS, ALLEYS AND CULTIVATED OR GRAZING AREAS.

2

POINT OF ATTACHMENT SHOULD NOT BE FARTHER THAN 2' FROM THE WEATHERHEAD AND INSTALLED BY THE ELECTRIAN TO ATTACH UTILITY SERVICE DROP



3

MINIMUM CONDUIT SIZE
SEE TABLES 8-C, 8-E, 8-F

FOR SINGLE FAMILY DWELLINGS ONLY				
AMP	COPPER	CONDUIT	ALUM.	CONDUIT
100	#4	1 1/4"	#2	1 1/4"
200	#2/0	2"	#4/0	2"

4

GROUNDING ELECTRODE CONDUCTORS SHALL BE UNSPLICED AND HAVE 6" EXPOSED FOR THE INTERCONNECTION OF OTHER SYSTEMS. ELECTRICAL NONMETALLIC OR METAL CONDUIT SHALL BE USED FOR PROTECTION. IF METALLIC, BOND BOTH ENDS. (SEE SECTION 4.1 THRU 4.6)

5

GROUNDING ELECTRODE SYSTEM (G.E.S.) ALL NEW BUILDING FOUNDATIONS CONTAINING QUALIFIED CONCRETE-ENCASED REINFORCING RODS, MUST BECOME A PART OF THE G.E.S. ALL OTHER INSTALLATIONS MUST CONSIDER PIPE, ROD OR PLATE TYPE G.E.S (SEE SECTION 4.1 THRU 4.6)

6

CONTACT LOCAL UTILITY FOR METER BASE AND RISER/WEATHERHEAD LOCATION. CONTACT LOCAL STATE ELECTRICAL INSPECTOR FOR QUESTIONS ON LOAD SIDE OF METER

12'-0" MIN. FINAL GRADE TO ATTACHMENT

5'-0" MIN
6'-0" MAX

3

6

4

5

FINAL GRADE

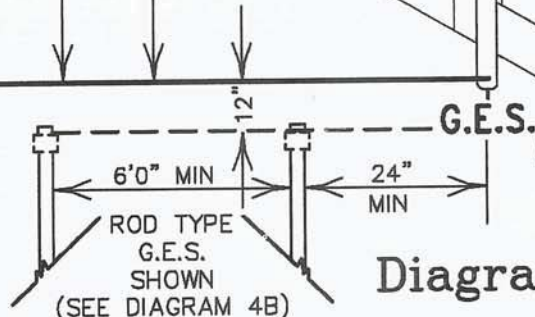


Diagram 3-B